



THE CHAIRVILLE
long lasting celebration



X BACK CHAIR
SPECIFICATIONS

X BACK CHAIR SPECIFICATIONS

LEGS AND FRAME

Chair legs are made from 20 gauge RFR Steel 1 1/4" diameter. Back frame is made from gauge 20 RFR Steel of 1 1/2" of diameter. Cross bars are made of RFR Steel Seel of 1/8" por 1 1/4". Four archs between legs for enhanced stability and resistance made of gauge 20 Steel RFR 3/4" diamater.

SEAT

Chair seat is made of 18 gauge RFR Steel

FRAME FINISH

All chairs have UV treated weather resistant TGIC Polyester Powder Coatings for Exterior and Interior Applications.

CONSTRUCTION

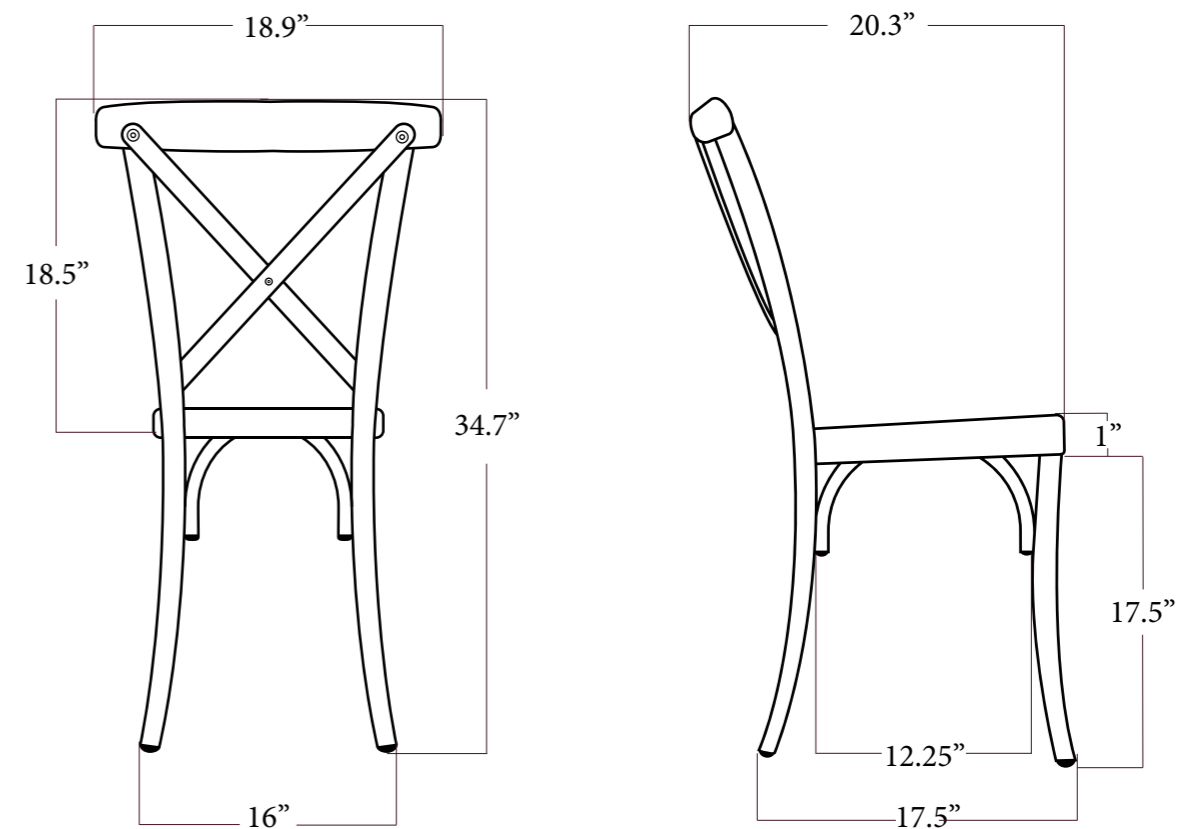
Frame, legs and seat are completely welded together to corresponding frame members. No assembly required.

STACKING

Chairs stack up to 7 high for storage (without cushion). Stacking density is 38.1" for the rst chair, and 7.5" inches thereafter. Maximum stack height is 7 Chairs. Forward progression of each chair as it is stacked is 1 3/4".

DIMENSIONS

PRODUCT	WEIGHT POUNDS	OVERALL HEIGHT INCHES	LENGTH INCHES	WIDTH INCHES	LOAD CAPACITY POUNDS
X BACK CHAIR	12	34.7	20.3	18.9	2000



MADE IN
NORTH AMERICA



ECO FRIENDLY



BEST GUARANTEE
IN THE MARKET





THE CHAIRVILLE
long lasting celebration

THE CHAIRVILLE

9330 LBJ Freeway, Ste 900, Dallas TX 75243 | P: 1 888 253 0956 Fax: 214 432 2908 |
Payment Mailing Address: 4144 N. Central Expy. Ste. 1170. Dallas, TX 75204) | Ware-
house: 1102 Santo Tomas St. Laredo TX 78045